

INPUT

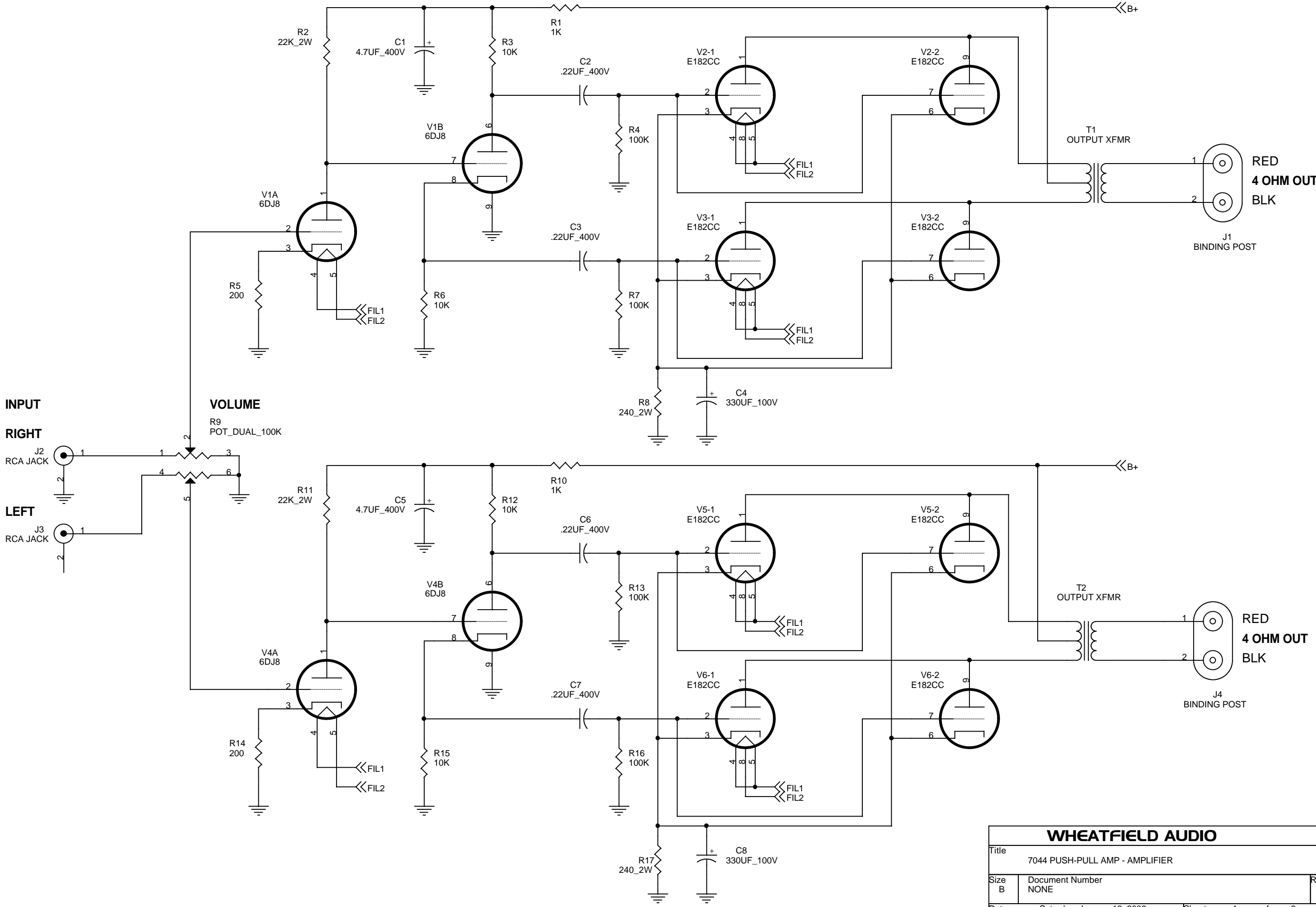
RIGHT

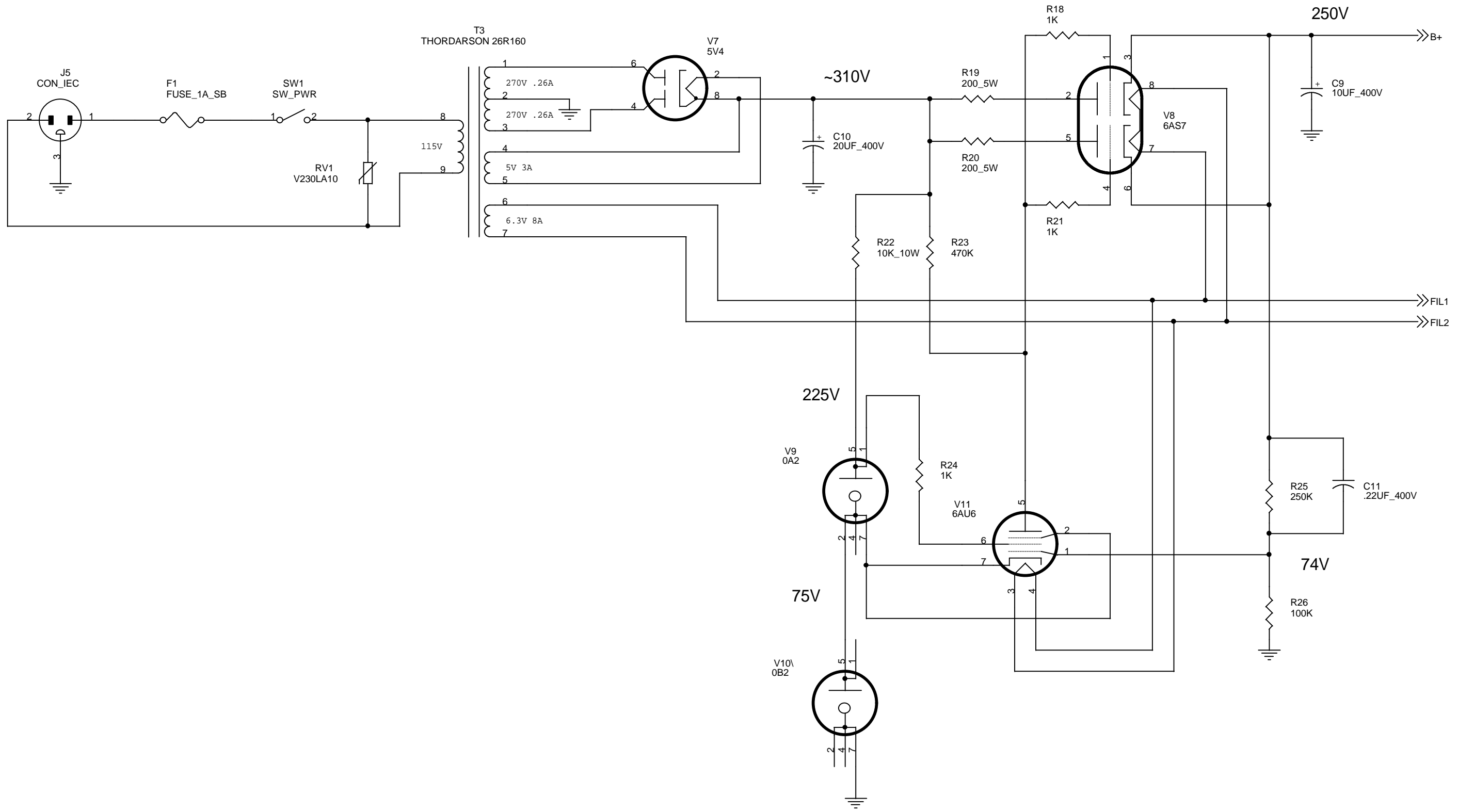
LEFT

VOLUME

WHEATFIELD AUDIO

Title		
7044 PUSH-PULL AMP - AMPLIFIER		
Size	Document Number	Rev
B	NONE	A
Date:	Saturday, January 12, 2002	Sheet 1 of 2





WHEATFIELD AUDIO		
Title 7044 PUSH-PULL AMP - POWER SUPPLY		
Size B	Document Number NONE	Rev A
Date:	Saturday, January 12, 2002	Sheet 2 of 2