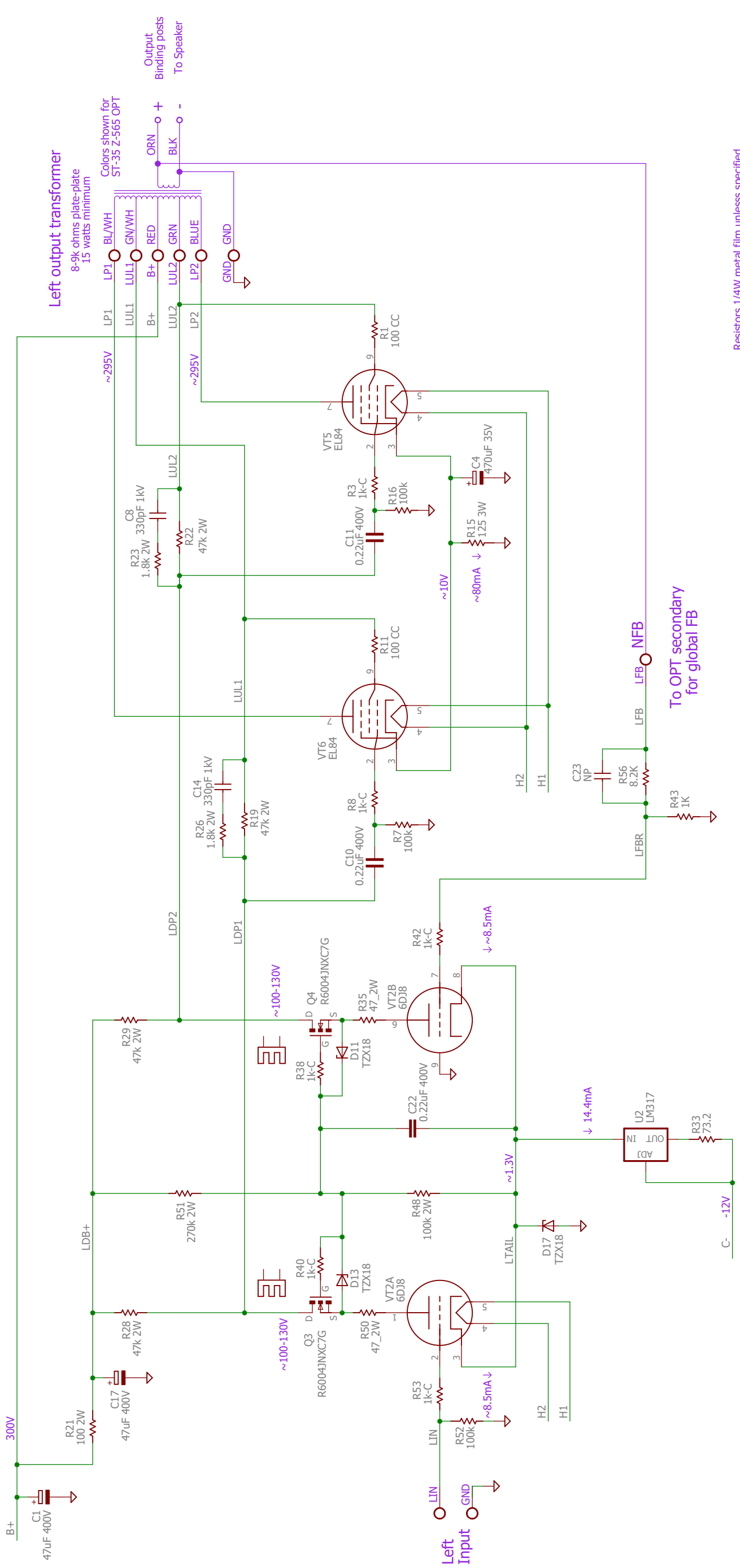


Resistors 1/4W metal film unless specified
 1k-C are 1/4W carbon comp, anything from 750 to 2.2k
 100_CC are 1/2W carbon.comp, anything from 75 to 200
 2W can be metal film or carbon film

Note SOA restrictions on power MOSFETs

Heatsink HS1 is connected to ground! If using uninsulated MOSFET, it MUST be insulated from heatsink!

EL84 P-P Amp - Power	
Pete Millett 2025 www.pmillett.com	
TITLE: MEAMP2	REV:
Document Number:	
Date: 4/9/2025 10:05 AM	Sheet: 1/3



Left output transformer

8-9k ohms plate-plate
15 watts minimum

Colors shown for
ST-35 Z-565 OPT

Output
Binding posts
To Speaker

Resistors 1/4W metal film unless specified
1k-C are 1/4W carbon comp, anything from 750 to 2.2k
100_CC are 1/2W carbon.comp, anything from 75 to 200
2W can be metal film or carbon film
Note SOA restrictions on power MOSFETS

EL84 P-P Amp - Left

Pete Millett 2025 www.pmillett.com

TITLE: MEAMP2

Document Number:

REV:

Date: 4/9/2025 10:05 AM

Sheet: 2/3

To OPT secondary for global FB

LFB NFB

LFB LFB

LFB NFB

LFB NFB

LFB NFB

LFB NFB

LFB NFB

LFB NFB

LFB NFB

LFB NFB

LFB NFB

LFB NFB

LFB NFB

LFB NFB

LFB NFB

LFB NFB

LFB NFB

LFB NFB

LFB NFB

LFB NFB

LFB NFB

LFB NFB

LFB NFB

LFB NFB

LFB NFB

LFB NFB

LFB NFB

LFB NFB

LFB NFB

LFB NFB

LFB NFB

LFB NFB

LFB NFB

LFB NFB

LFB NFB

LFB NFB

LFB NFB

LFB NFB

LFB NFB

LFB NFB

LFB NFB

LFB NFB

LFB NFB

LFB NFB

LFB NFB

LFB NFB

LFB NFB

LFB NFB

LFB NFB

LFB NFB

LFB NFB

LFB NFB

LFB NFB

LFB NFB

LFB NFB

LFB NFB

LFB NFB

LFB NFB

LFB NFB

LFB NFB

LFB NFB

LFB NFB

LFB NFB

LFB NFB

LFB NFB

LFB NFB

LFB NFB

LFB NFB

LFB NFB

LFB NFB

LFB NFB

LFB NFB

LFB NFB

LFB NFB

LFB NFB

LFB NFB

LFB NFB

LFB NFB

LFB NFB

LFB NFB

LFB NFB

LFB NFB

LFB NFB

LFB NFB

LFB NFB

LFB NFB

LFB NFB

LFB NFB

LFB NFB

LFB NFB

LFB NFB

LFB NFB

LFB NFB

LFB NFB

LFB NFB

LFB NFB

LFB NFB

LFB NFB

LFB NFB

LFB NFB

LFB NFB

LFB NFB

LFB NFB

LFB NFB

LFB NFB

LFB NFB

LFB NFB

LFB NFB

LFB NFB

LFB NFB

LFB NFB

LFB NFB

LFB NFB

LFB NFB

LFB NFB

LFB NFB

LFB NFB

LFB NFB

LFB NFB

LFB NFB

LFB NFB

LFB NFB

LFB NFB

LFB NFB

LFB NFB

LFB NFB

LFB NFB

LFB NFB

LFB NFB

LFB NFB

LFB NFB

LFB NFB

LFB NFB

LFB NFB

LFB NFB

LFB NFB

LFB NFB

LFB NFB

LFB NFB

LFB NFB

LFB NFB

LFB NFB

LFB NFB

LFB NFB

LFB NFB

LFB NFB

LFB NFB

LFB NFB

LFB NFB

LFB NFB

LFB NFB

LFB NFB

LFB NFB

LFB NFB

LFB NFB

LFB NFB

LFB NFB

LFB NFB

LFB NFB

LFB NFB

LFB NFB

LFB NFB

LFB NFB

LFB NFB

LFB NFB

LFB NFB

LFB NFB

LFB NFB

LFB NFB

LFB NFB

LFB NFB

LFB NFB

LFB NFB

LFB NFB

LFB NFB

LFB NFB

LFB NFB

LFB NFB

LFB NFB

LFB NFB

LFB NFB

LFB NFB

LFB NFB

LFB NFB

LFB NFB

LFB NFB

LFB NFB

LFB NFB

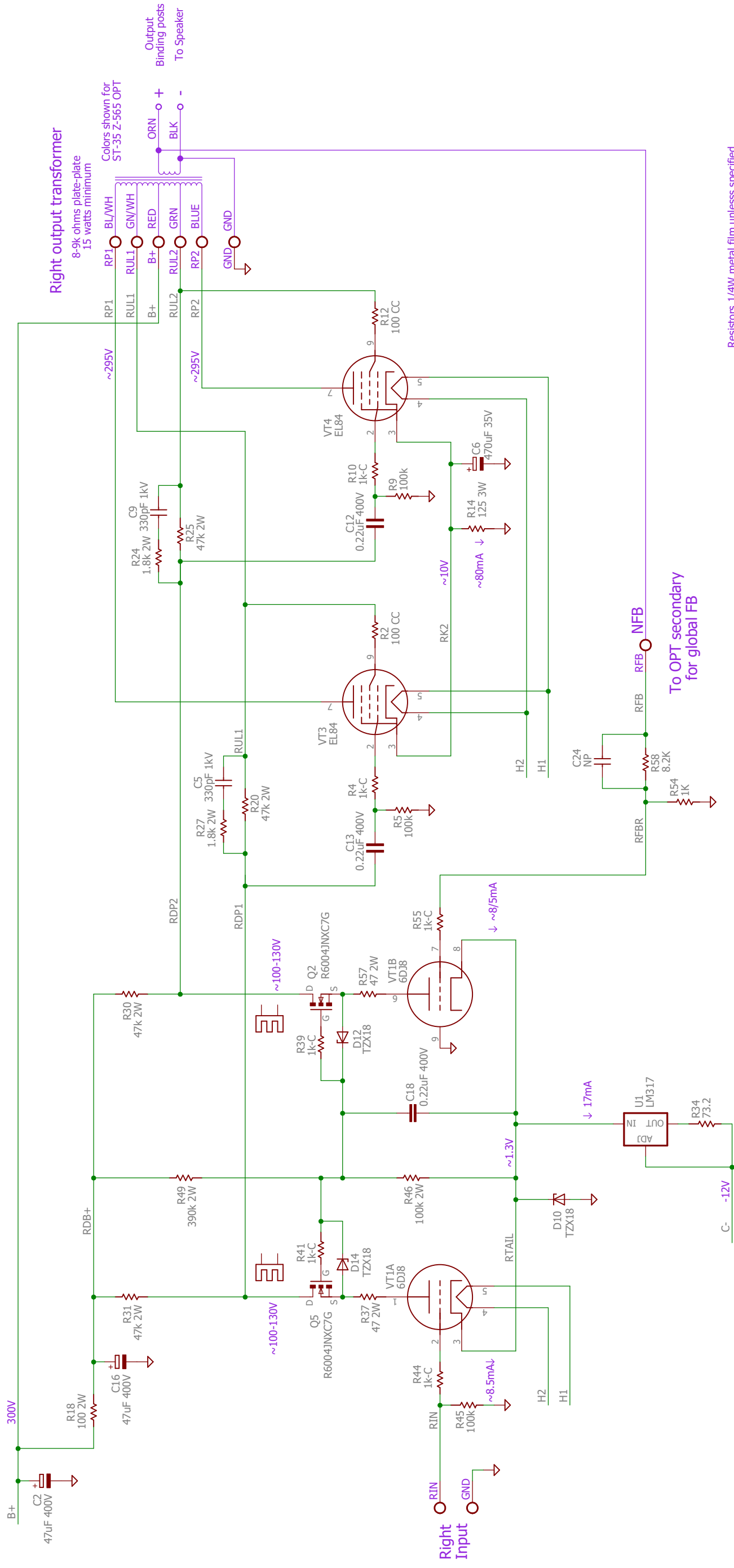
LFB NFB

LFB NFB

LFB NFB

LFB NFB

LFB NFB



Resistors 1/4W metal film unless specified
 1k-C are 1/4W carbon comp. anything from 750 to 2.2k
 100_CC are 1/2W carbon.comp. anything from 75 to 200
 2W can be metal film or carbon film

Note SOA restrictions on power MOSFETs

EL84 P-P Amp - Right
 Pete Millett 2025 www.pmillett.com

TITLE: MEAMP2

Document Number:

REV: