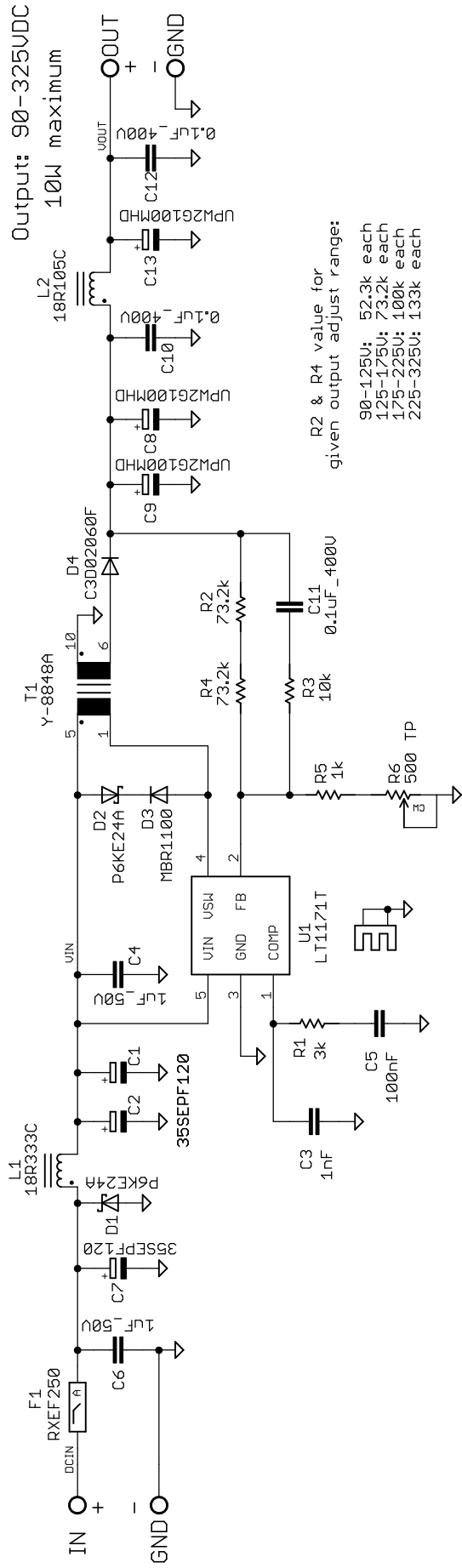


Input: 6V-20VDC



10W B+ Flyback

www.pmllett.com

TITLE: hvbfly

Document Number:

REV:

Date: 8/21/2015 9:49:09 AM

Sheet: 1/1