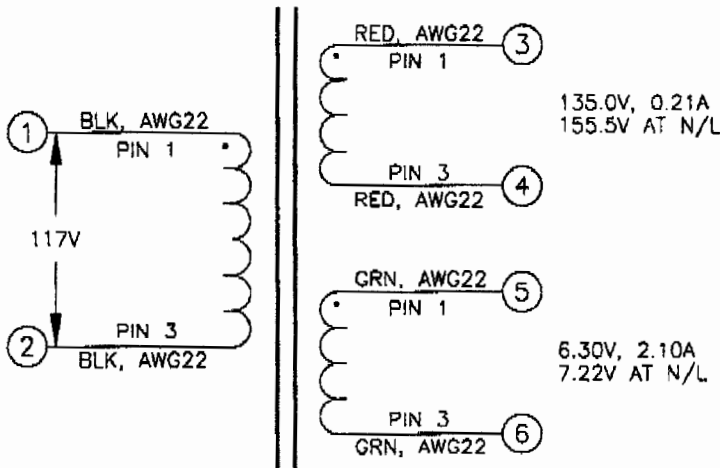
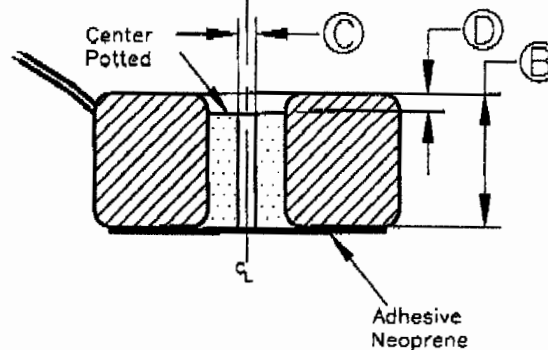
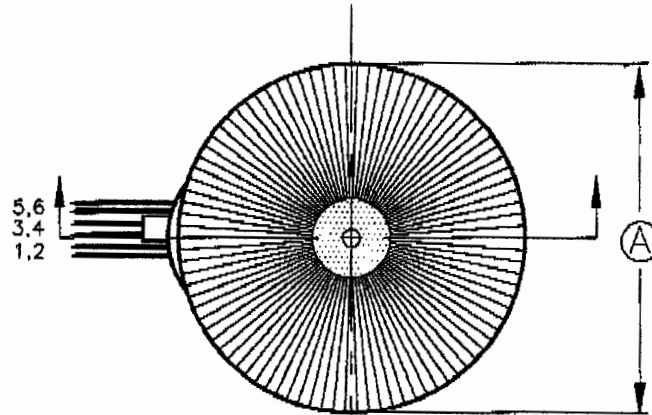


JUN-20-2000 16:52 PLITRON
WHEATFIELD AUDIO

(PART NO: HA1 XFMR)

POWER:	VA	41
TEMPERATURE RISE:	°C	*25
EFFICIENCY:	%	*86
WEIGHT:	kg	*0.65
FREQUENCY:	Hz	60




REF	DIMENSIONS			
	Unit:	(nom)	(max)	TOLERANCE
A	mm	*73	76.20	
B	mm	*45	50.80	
C	inch	1/4		
D	mm	10		±3

LEADS	LENGTH ±10mm	TERMINATION
1-6	127	(6) MOLEX 39-00-0038 PIN (3) MOLEX 39-01-4030 HOUSING


LABEL INFO:

PLITRON MANUFACTURING INC.
7410-X0-01 DATE CODE F:60
INPUT: 117VAC BLK/BLK
WHEATFIELD AUDIO P/N HA1 XFMR



NOTES:

1. ULC recognised to UL1411, CSA 22.2 No.66-1988 Class A(105°C) Insulation System.
2. All stranded leads are TR64/UL1007 type wire.
3. Hipot lead 1 to leads 3,5 2.5KV for 5 sec.

* Calculated value	V=VAC rms A≠I rms	C/T= Center Tap	N/L= No load	
	This document is the property of Plitron Manufacturing Inc. It is not to be copied or transmitted or used as the basis for manufacturing of apparatus without written permission. Copyright Plitron Manufacturing Inc.			
	TOROIDAL POWER TRANSFORMER			
	DESIGN BY:	E.TAM	DATE:	06/13/2000
	DRAWN BY:	S.M.	DATE:	06/20/2000
	CHECKED BY:	<i>E.TAM</i>	DATE:	6/20/2000
APPROVED BY:		DATE:		
		DWG NO.	7410-X0-01	
		SCALE	N/A SHEET 1 OF 1	