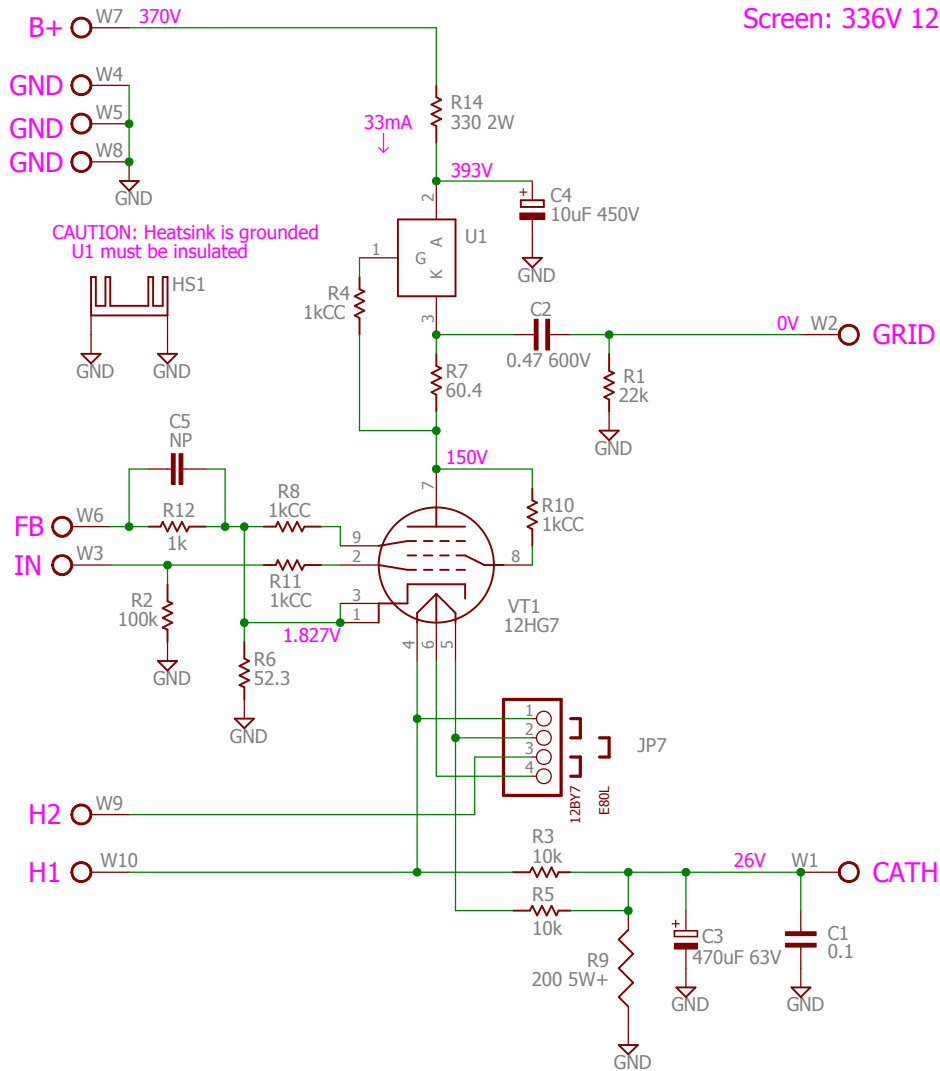


4D32 Parameters:  
 Using Hammond 1627SEA OPT  
 B+ Supply: 370V

Plate-to-ground: 360V  
 Plate: 334V 116mA 38W  
 Screen-to-ground: 362V  
 Screen: 336V 12mA 4W



## 4D32 SE UL Amp

[www.pmillett.com](http://www.pmillett.com)

TITLE: ixccs

Document Number:

REV:

Date: 3/1/2021 1:21 PM

Sheet: 1/1