

ONLY CRITICAL DIMENSIONS SHOWN

PRIMARY:

117 VAC 60 HZ
 APPROX. 48 VA
 LEAD COLOR: BLACK/BLACK

SECONDARIES:

#2: APPROX 135 V RMS
 TO DELIVER 180 VDC @ 130mA DC
 FULL-WAVE BRIDGE SILICON RECT.
 CAPACITOR-INPUT FILTER 820uF
 LEAD COLOR: RED/RED

#1: 6.3V RMS 2.1A
 RESISTIVE LOAD (TUBE FILAMENTS)
 LEAD COLOR: GREEN/GREEN

CERTIFICATIONS

NONE REQUIRED, BUT MUST MEET
 UL CONSTRUCTION STANDARDS FOR
 CONSUMER ELECTRONICS EQUIPMENT

DUTY CYCLE:

100%

AMBIENT TEMPERATURE:

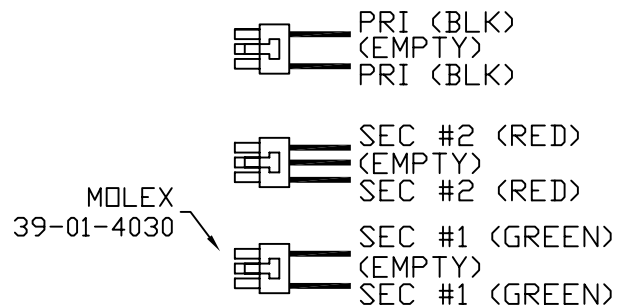
40 DEGREES C MAXIMUM

DIELECTRIC STRENGTH:

2500 V RMS HIPOT TEST

TERMINATIONS:

EACH WINDING TERMINATED WITH 5"
 STRANDED LEADS, AWG 22, COLORS
 AS SHOWN, TERMINATED IN MOLEX
 MINI-FIT CONNECTOR PN 39-01-4030
 USING TERMINALS 39-00-0039



WHEATFIELD AUDIO LLC
 PART NUMBER: HA1XFMR
 MFG: SIGNAL TRANSFORMER